

# FLEX SCAN FLT

23.8" Full HD Color LCD Monitor



*Future-Leading Technology*

# EIZO's Most Eco-Conscious Monitor

Net **0**

## Transition to Net Zero

In 2023, EIZO accelerated its efforts to achieve carbon neutrality, aiming to achieve Net Zero\*<sup>1</sup> by 2040 across the entire value chain. The FLT is EIZO's flagship model designed with environmental sustainability at its core.

From the procurement and manufacturing to shipping and usage, the GHG emissions throughout the entire product lifecycle of the FLT have been reduced by approximately 32%\*<sup>2</sup> compared to a previous 23.8-inch monitor.

\*<sup>1</sup> Net Zero means the total GHG (greenhouse gas) emissions produced are balanced by the total emissions removed.

\*<sup>2</sup> Life cycle assessment (LCA) comparisons based on our own calculation methods.



# The 1st

 CLASS A

World's First Class A Rank on European Energy Label

The FLT is the world's first monitor\*<sup>3</sup> to achieve the highest rank of Class A on the European Energy Label, signifying exceptional energy efficiency.

\*<sup>3</sup> Based on EIZO's internal research as of November 2024, in the 24-inch desktop monitor category.

Typical Power Consumption of Just 6W

11W → 6W

# 6 watt

By adopting low-power panels and implementing EIZO's unique power-saving technologies, the typical power consumption has been reduced to 6 watts, approximately half the 11 watts of a previous 23.8-inch monitor.

# 30+ years

Commitment to Sustainability Since 1985

For over 30 years, EIZO has been committed to developing eco-conscious products since launching its brand in Europe.

Housing Made from 95% Recycled Plastic

# 95%

The FLT's housing is made from 95% recycled plastic. Additionally, its packaging utilizes eco-conscious materials, such as recycled paper and plastics, to reduce environmental impact.

42% GHG Emissions Reduction in Transport

By reducing the packaging size by approximately 42% compared to a previous 23.8-inch model, FLT's loading efficiency is increased by about 1.5 times, leading to a reduction in GHG emissions during transport by up to 42%\*<sup>4</sup>.

# 42% ↓

\*<sup>4</sup> When transporting multiple units via shipping container.

TCO Certified, Generation 10



TCO Certified, Generation

# 10

The FLT achieved TCO Certified, generation 10 simultaneously with its publication. It also achieved the highest tier of EPEAT Gold and the EPEAT Climate+ designation. These recognitions highlight EIZO's commitment to the sustainability in both its products and supply chain management.



## Floating Edge Frame

Experience the elegance of a slim, lightweight monitor with a distinct hollow bezel design. Mounted on a unique arm, the FLT creates a floating effect, seamlessly integrating into any workspace.



## Stylish and Functional Arm

The FLT's sleek arm maximizes desk space with its slim profile. It features an integrated clamp for effortless attachment and removal by simply twisting the base, making setup a breeze.

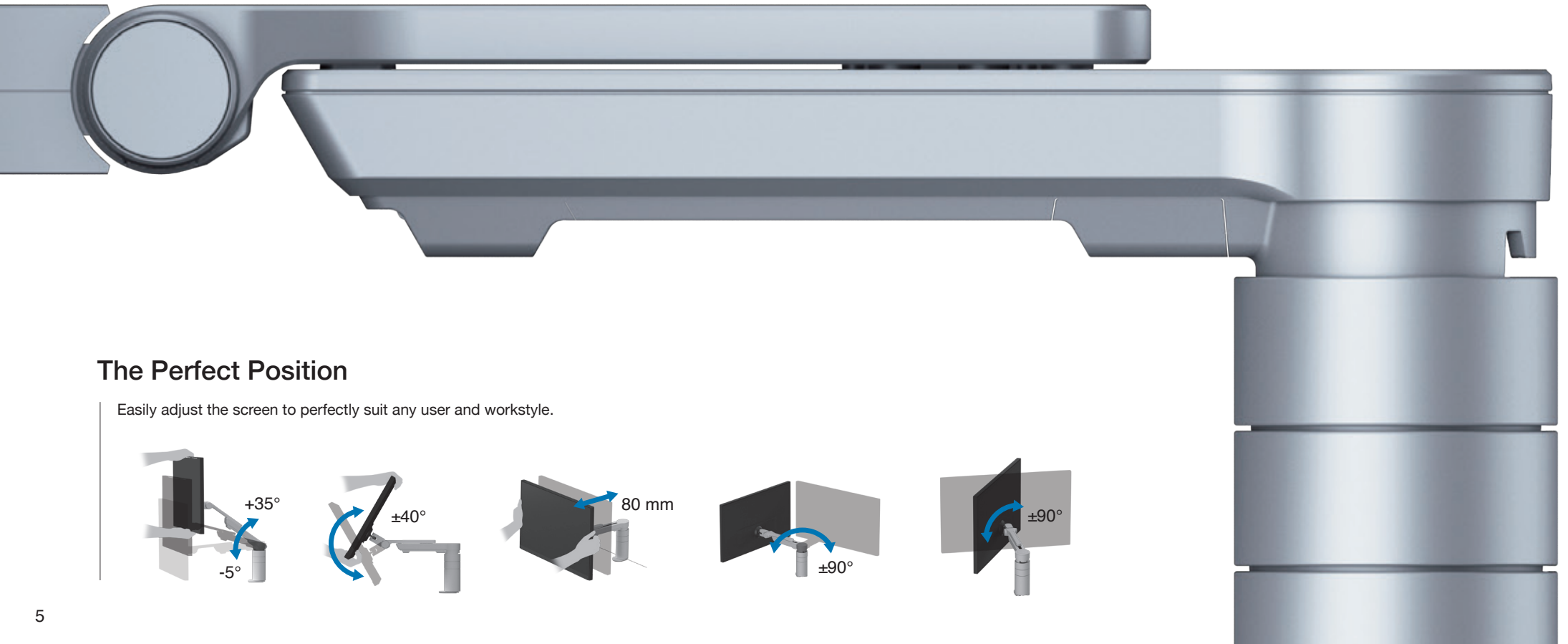


## Revolutionary Lightweight and Slim

The monitor weighs a mere 2.4 kg and features a sleek bezel thickness of 24.4 mm, making it approximately 49% lighter and 58% thinner than a previous 23.8-inch model.

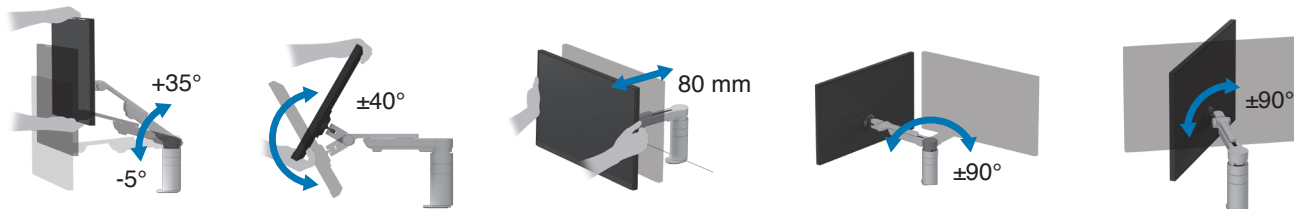


# Innovative Design - Vision for the Future



## The Perfect Position

Easily adjust the screen to perfectly suit any user and workstyle.



# One Cable, Instant Focus

## USB Type-C Connection

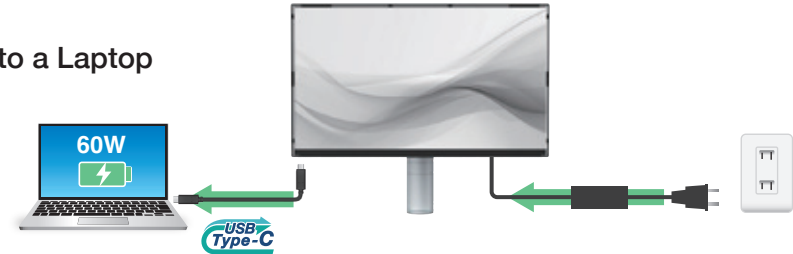
Connect your laptop with a single USB Type-C® cable to enable image display, USB device connections, and up to 60 watt power supply to keep your laptop charged.

The FLT is EIZO's first monitor to support power supply from external devices via USB Type-C, allowing it to operate without the need for an AC adapter.

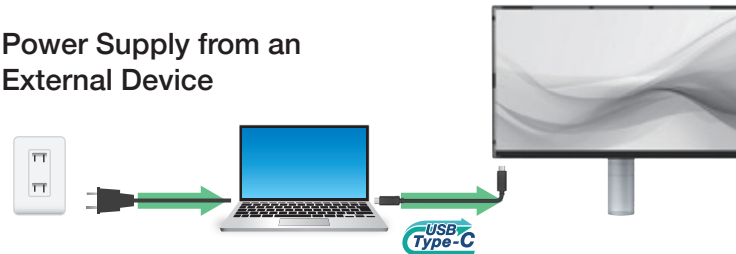


- USB Type-C (Upstream)
- USB Type-C (Downstream)
- USB Type-C (AC Adapter)

## Power Supply to a Laptop



## Power Supply from an External Device



## Powered by the Daisy Chain

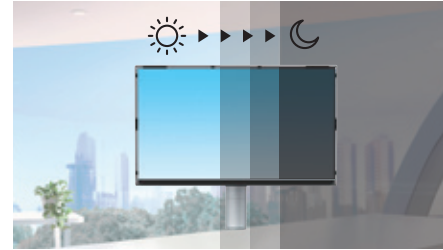
When the FLT is the terminal monitor in a daisy chain, it can operate solely on power supplied by the intermediary monitor, streamlining your multi-monitor setup.



# Enhanced Power-Saving Features

## Eco Mode Preset

The FLT's new Eco Mode preset activates Auto EcoView, which automatically adjusts screen brightness based on ambient light, and EcoView Optimizer 2, which fine-tunes brightness and gain according to displayed content. Auto EcoView has been further optimized to achieve even lower dimming levels compared to previous models. Together, these technologies enhance viewing comfort and further reduce power consumption.



## Power Consumption Indicator

Promote eco-consciousness by tracking the power consumption of the FLT and connected devices in real time through the OSD. You can also choose to display this information statically at the edge of the screen for quick, at-a-glance reference.

*Patent pending*



EIZO, the EIZO Logo, and FlexScan are registered trademarks of EIZO Corporation in Japan and other countries. USB Type-C is a registered trademark of USB Implementers Forum, Inc. DisplayPort and VESA are trademarks of the of the Video Electronics Standards Association in the United States and other countries. DICOM is the registered trademark of the National Electrical Manufacturers Association for its standards publications relating to digital communications of medical information. ENERGY STAR is a registered trademark of the United States Environmental Protection Agency in the United States and other countries. Microsoft is a registered trademark of Microsoft Corporation in the United States and other countries. All other company names, product names, and logos are trademarks or registered trademarks of their respective owners. Some screen images are used with permission from Microsoft. Specifications are subject to change without notice.

## Specifications

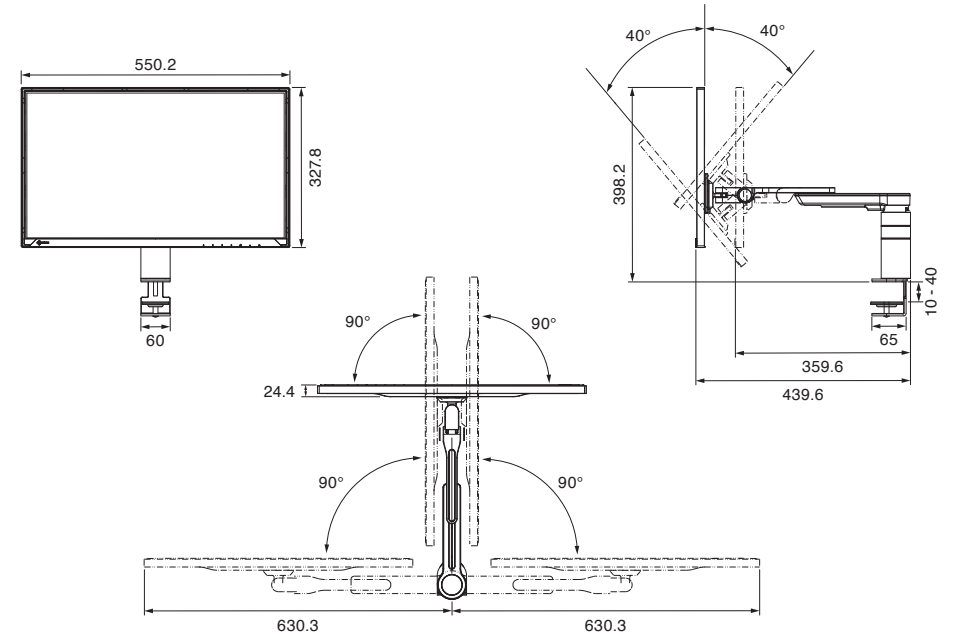
Model Variation	With Arm, Black	FLT-BK
	Without Arm, Black	FLT-FBK
Panel	Type / Backlight	IPS / LED
	Size	23.8" (60.5 cm)
	Native Resolution	1920 x 1080 (16:9 aspect ratio)
	Viewable Image Size (H x V)	527 x 296.5 mm
	Pixel Pitch (H x V) / Pixel Density	0.275 x 0.275 mm / 93 ppi
	Display Colors	16.77 million
	Viewing Angles (H / V, typical)	178° / 178°
	Brightness (typical) / Contrast Ratio (typical)	250 cd/m <sup>2</sup> / 1000:1
	Response Time (typical)	5 ms (gray-to-gray)
Video Signal	Input Terminals	USB Type-C (DisplayPort™ Alt Mode, HDCP 1.3)
	Digital Scanning Frequency (H / V)	USB Type-C: 31 - 68 kHz / 59 - 61 Hz
USB	Upstream	USB 5Gbps: Type-C (DisplayPort Alt Mode, Power Delivery Source 60 W max.)
	Downstream	USB 5Gbps: Type-C (Type-C Current, 15 W max.)
Audio	Input Terminals	USB Type-C
Power	Power Input	AC 100 - 240 V, 50 / 60 Hz
	Power Consumption (Typical / Maximum / Power Save Mode)	6 W / 94 W / 0.27 W
Features & Functions	Preset Modes	User1, User2, sRGB, Eco, Paper, Movie, DICOM
	Automatic Brightness Control	Auto EcoView
Physical Specifications	Net Weight (with stand / without stand)	4.5 kg / 2.4 kg
	Height Adjustment Range / Tilt / Swivel	Refer to dimension drawing
	Hole Spacing (VESA Standard)	100 x 100 mm (VESA mounting bracket required)
Environmental Requirements	Operating Temperature	5 - 35°C
	Operating Humidity(R.H., non condensing)	20 - 80%
Certifications & Standards (Please contact EIZO for the latest information.)		TCO Certified Generation 10, EPEAT Gold with Climate+, TÜV/Ergonomics, TÜV/GS, RCM, CE, UKCA, CB, cTÜVus, FCC-B, CAN ICES-3 (B), TÜV/S, VCCI-B, EPA ENERGY STAR, RoHS, WEEE
Dedicated Software	Monitor Control Utility Screen inStyle	Supported
Supplied Accessories <sup>1</sup>	Signal Cables	USB Type-C (1.5 m)
	Others	AC power cord (2 m), AC adapter
Warranty		5 Years <sup>2</sup>
Zero Bright Pixels		Yes <sup>3</sup>

<sup>1</sup> For accessories other than cables, please check the EIZO website.

<sup>2</sup> Usage time is limited to 30,000 hours.

<sup>3</sup> 6 months from the date of purchase.

## Dimensions (Unit: mm)



**EIZO Corporation**

153 Shimokashiwano, Hakusan, Ishikawa 924-8566 Japan

Phone +81-76-277-6794

<https://www.eizoglobal.com>

Copyright © 2024 EIZO Corporation. All rights reserved. (241109)